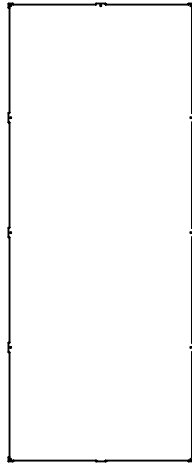


Display Case for LEGO® Eiffel Tower 10307 (21088)

ASSEMBLY INSTRUCTIONS

PLEASE CAREFULLY READ AND FOLLOW ALL THE INSTRUCTIONS IN THE DESIGNATED SEQUENCE.

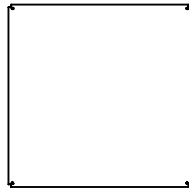
CASE PARTS LIST:



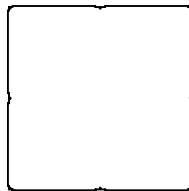
FRONT/BACK PANEL
(2 pcs)



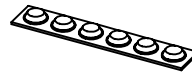
SIDE PANEL
(2 pcs)



TOP BASE PANEL
(1 pc)



TOP PANEL
(1 pc)



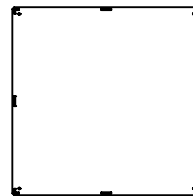
BUMPPONS
(9 pcs)



CUBE
(24 pcs)



SCREW
(52 pcs)



BOTTOM BASE PANEL
(1 pc)

IMPORTANT



SCAN QR CODE FOR
VIDEO INSTRUCTIONS

WATCH VIDEO AND
READ ALL
INSTRUCTIONS **BEFORE**
STARTING ASSEMBLY.

DO **NOT** COMPLETE
STEPS OUT OF
ORDER.

2 PERSON ASSEMBLY
REQUIRED

Display Case for LEGO® Eiffel Tower 10307 (21088)

ASSEMBLY INSTRUCTIONS

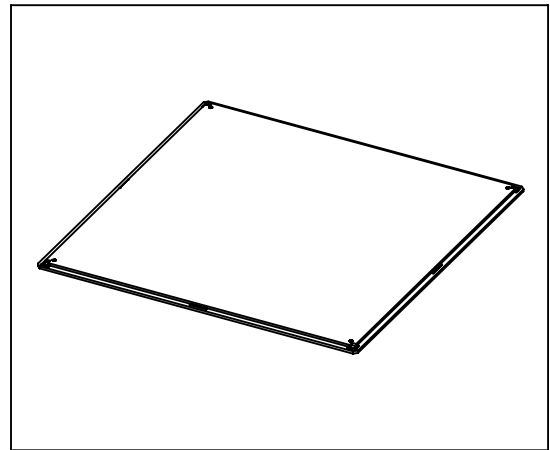
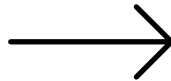
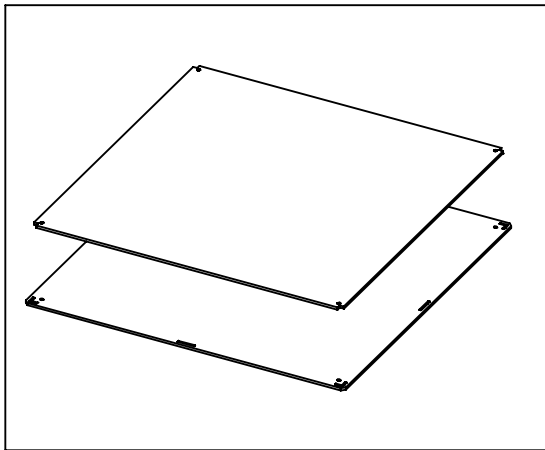
READ ALL INSTRUCTIONS BEFORE YOU BEGIN. DO NOT JUMP AHEAD OF ANY STEP.

Please note: Due to the size of this Display Case, Two Person assembly is required to avoid breakage. Please also assemble this case in the same location that it will be displayed. This case should not be moved once assembled.

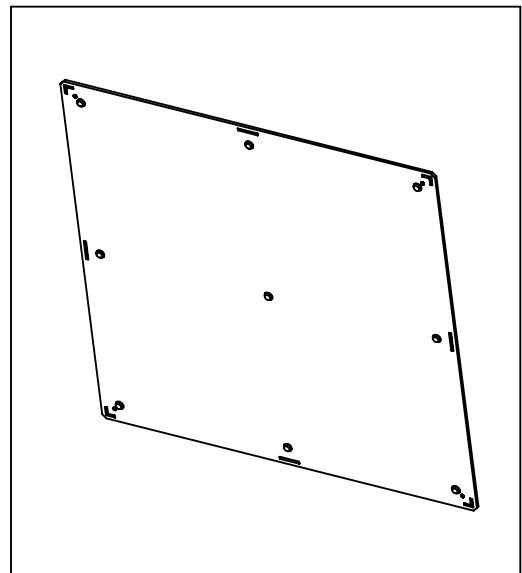
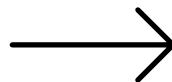
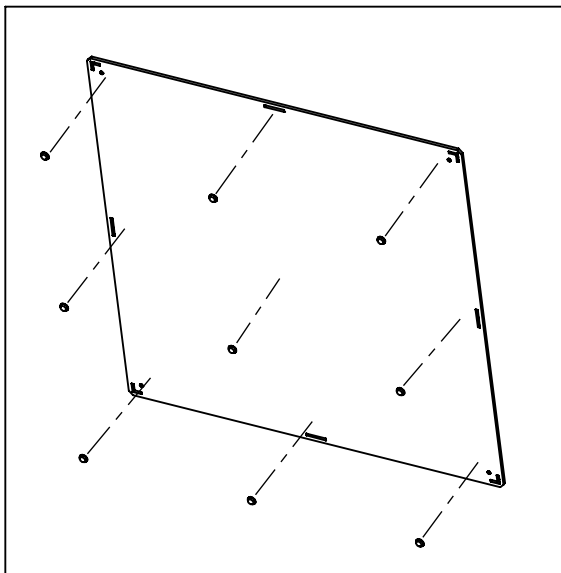
STEP 1: Remove protective film from both sides of each part before assembly.

BASE ASSEMBLY

STEP 2: Place Top Base Panel on top of Bottom Base Panel allowing magnets to locate the panels together. Ensure that the base panel is currently oriented in the desired direction. For specific direction on the intended orientation, please refer to images on our website.



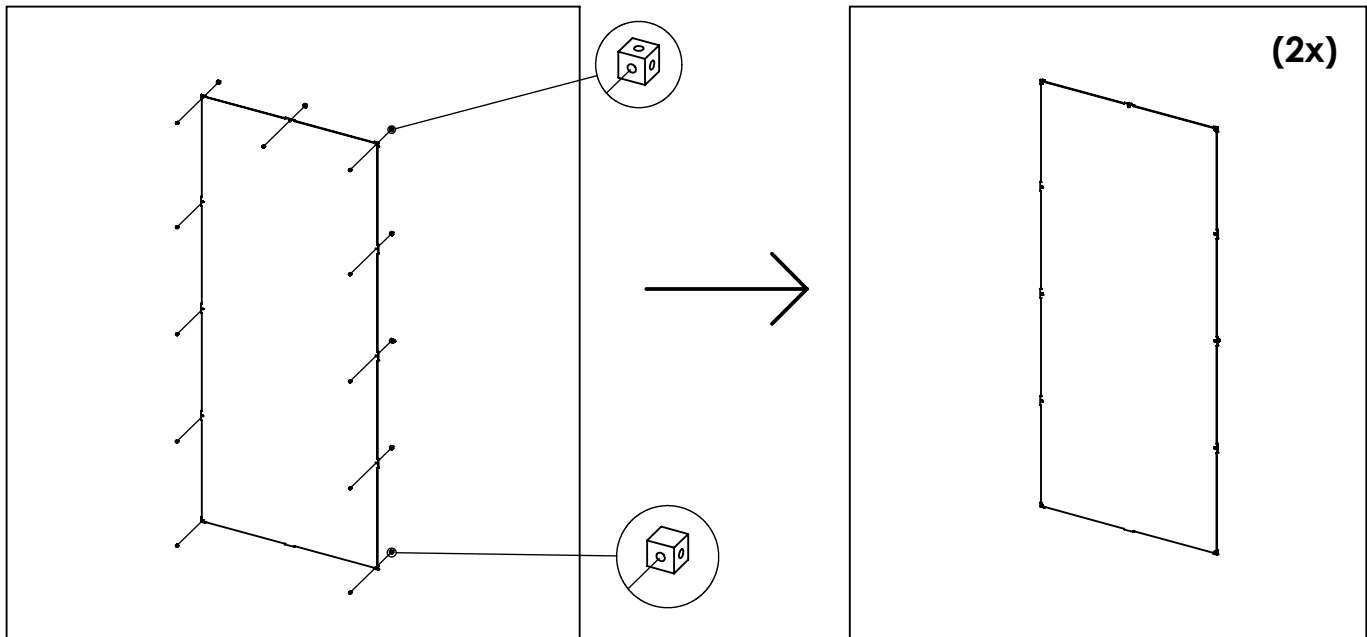
STEP 3: Attach Bumpons to the underside of Bottom Base Panel as shown. Ensure Bumpons don't cover slots when attaching.



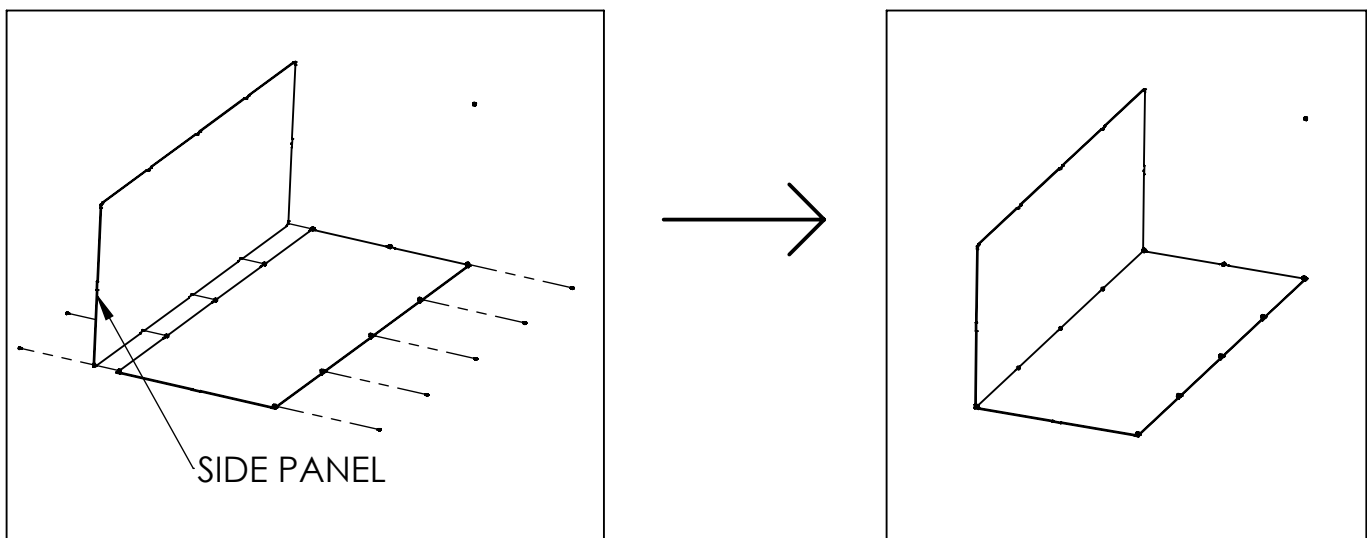
COVER ASSEMBLY

STEP 4: Attach Cubes to both Front/Back Panels using Screws. Do not over-tighten to ensure screws can easily rotate. If the position of the holes on the cube need adjustment, use manual tools to make modifications. Do not use power tools.

Cube Orientation (Top Edge) - remaining holes should face up & face outwards towards the Side edge. **(Side Edge)** - remaining holes should face outwards towards the side edge and face downwards.



STEP 5: With one of the Front/Back Panel lying flat on an even horizontal surface attach one of the Side Panels using screws, with the second person's assistance.

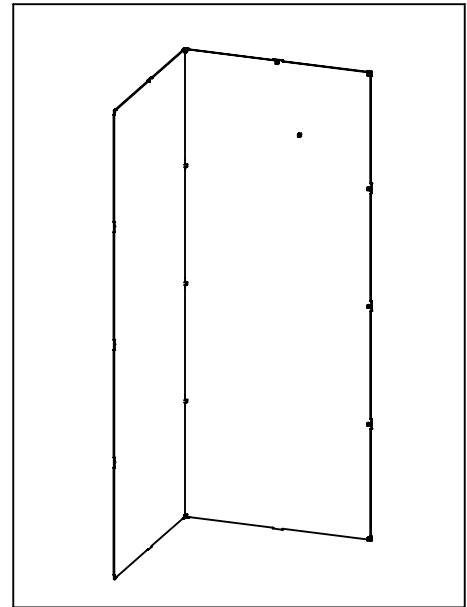
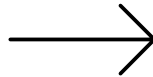
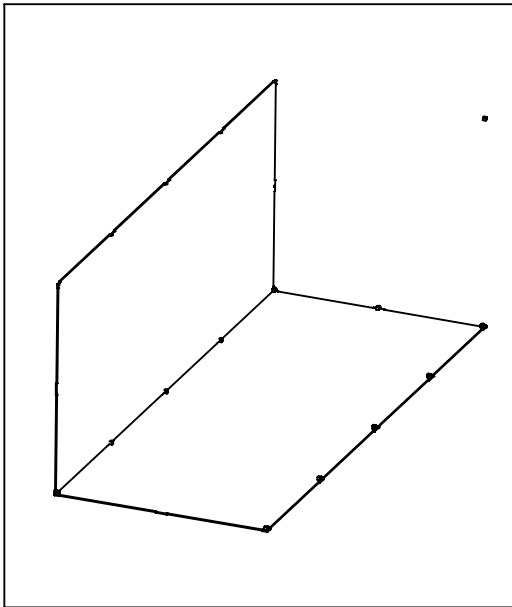


Display Case for LEGO® Eiffel Tower 10307 (21088)

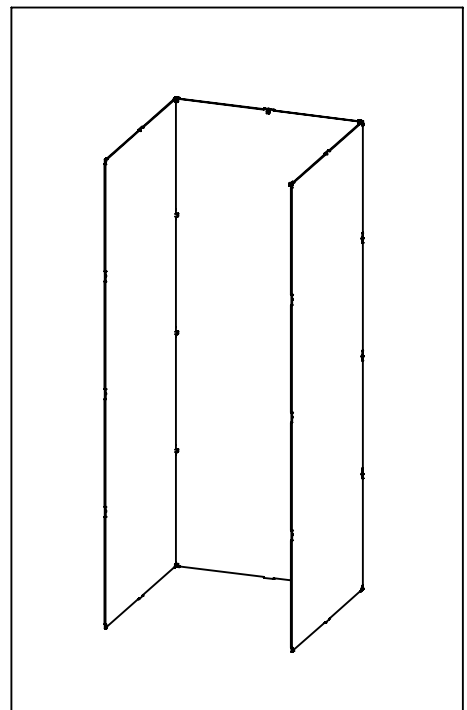
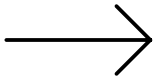
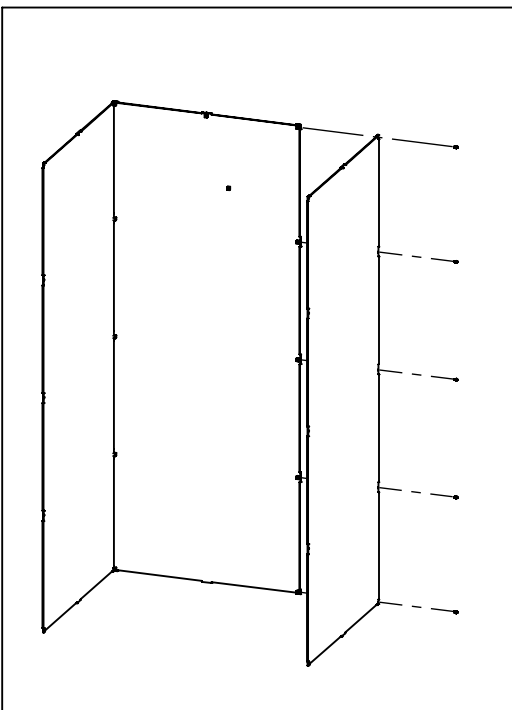
ASSEMBLY INSTRUCTIONS

READ ALL INSTRUCTIONS BEFORE YOU BEGIN. DO NOT JUMP AHEAD OF ANY STEP.

STEP 6: With two (2) people, carefully lift up the attached Front/Back and Side Panels so that it is resting upright on a smooth, flat surface near Base Assembly.



STEP 7: With one person holding the attached Front/Back Panel and Side Panel, the second person will attach the other Side Panel using screws.

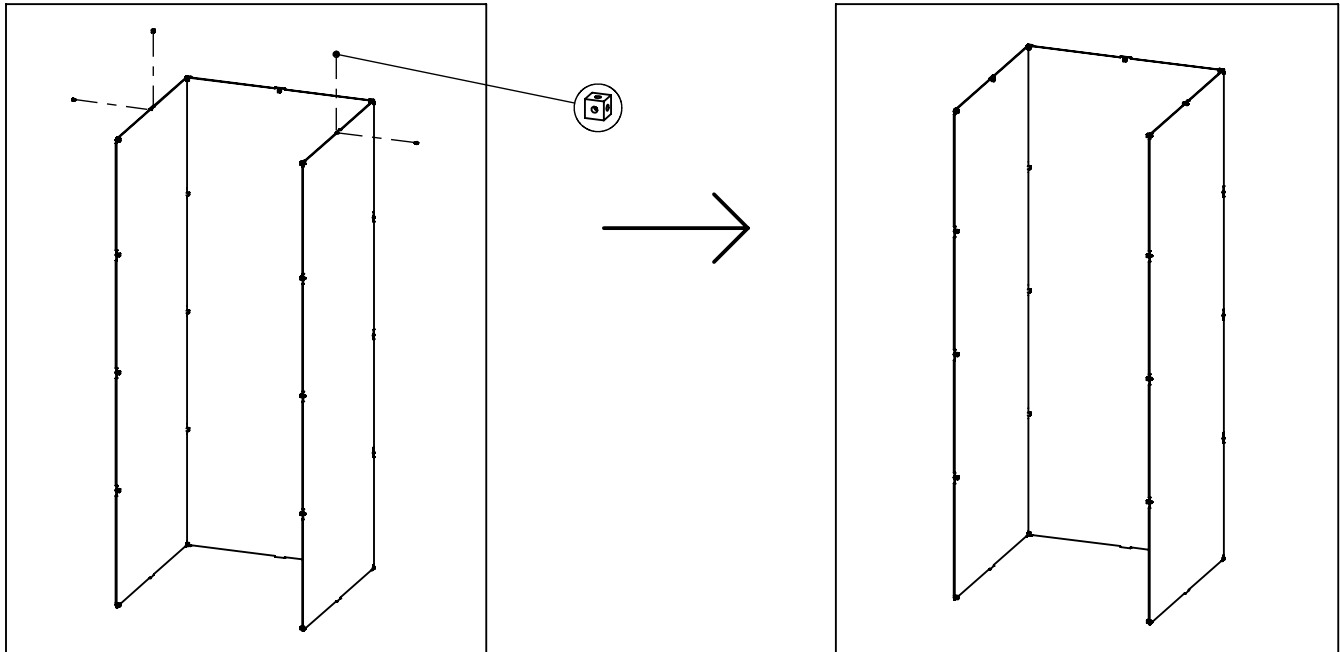


Display Case for LEGO® Eiffel Tower 10307 (21088)

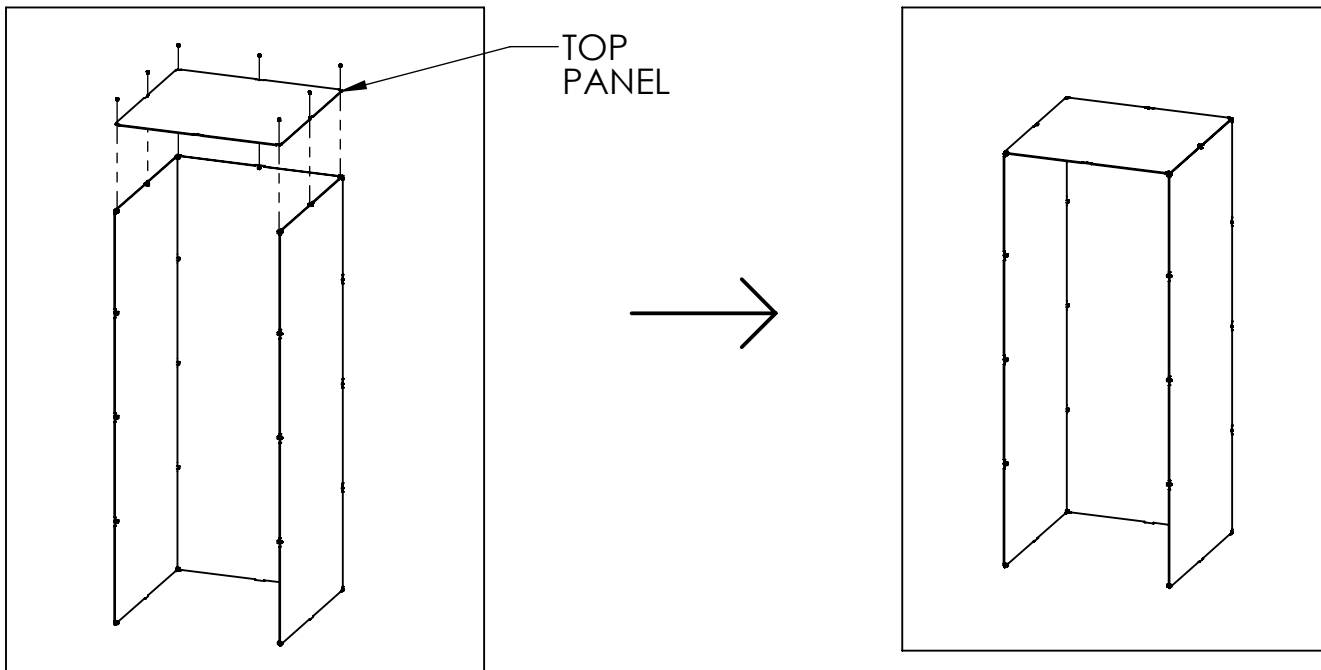
ASSEMBLY INSTRUCTIONS

READ ALL INSTRUCTIONS BEFORE YOU BEGIN. DO NOT JUMP AHEAD OF ANY STEP.

STEP 8: Attach Cubes to the top of both Side Panels using screws. Do not over-tighten to ensure screws can easily rotate. If the position of the holes on the cube need adjustment, use manual tools to make modifications. Do not use power tools. **Cube Orientation** - remaining holes should face up & outward to either side.



STEP 9: Attach Top Panel to Side and Front/Back Panels using Screws.

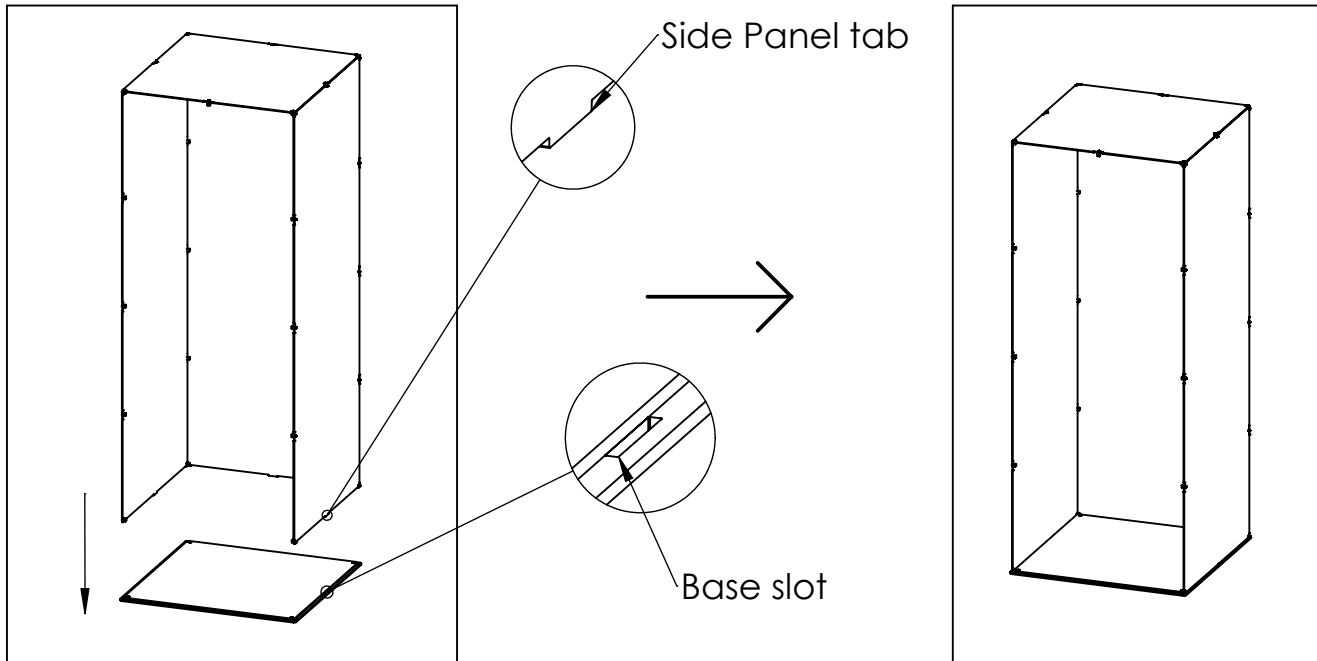


Display Case for LEGO® Eiffel Tower 10307 (21088)

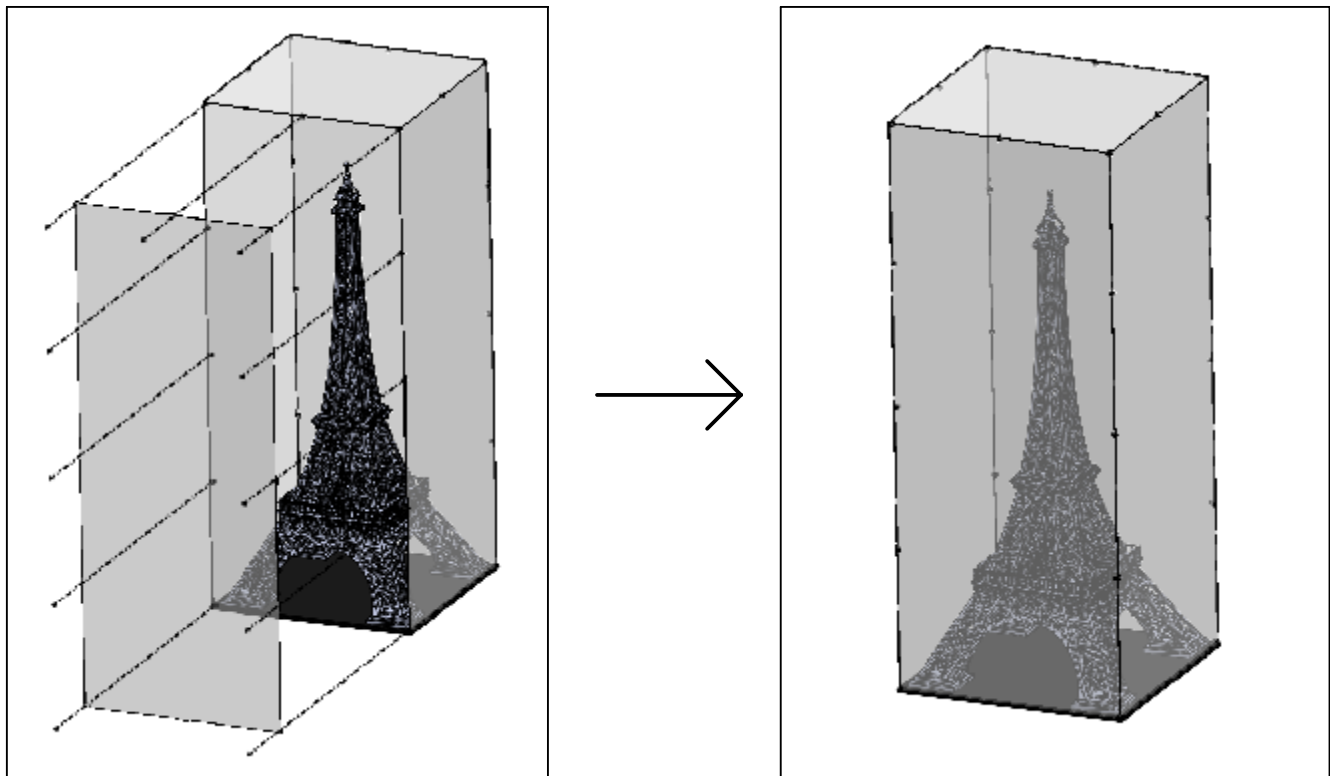
ASSEMBLY INSTRUCTIONS

PLEASE CAREFULLY READ AND FOLLOW ALL THE INSTRUCTIONS IN THE DESIGNATED SEQUENCE.

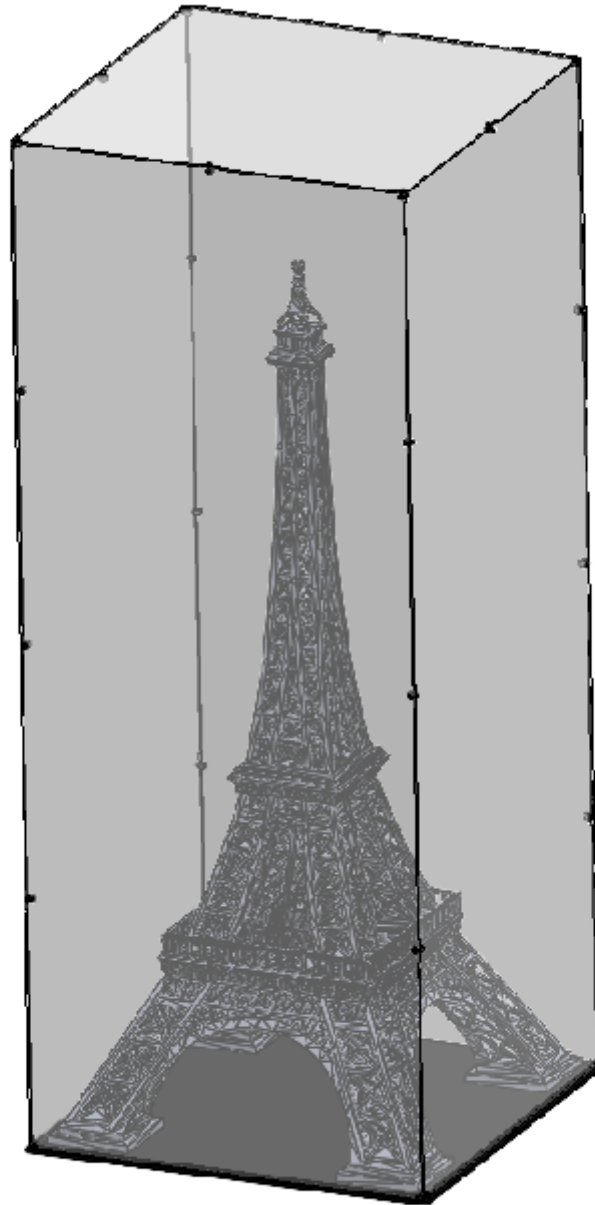
STEP 10: Carefully, place partially assembled Display Case on to the base ensuring that all Clear Acrylic Tabs engage with the Base Slots.



STEP 11: Place LEGO® Set into partially assembled case, then proceed to attach the remaining Front/Back Panel using Screws.



ASSEMBLY COMPLETED



NOTE : TO AVOID BREAKAGE, IT IS NOT RECOMMENDED TO MOVE THE ASSEMBLED CASE.